

# DATA SHEET

## **CIRCULATORS/ISOLATORS 1 TO 2 GHZ**

Product specification  
Supersedes data of October 1995  
File under Professional Components, PC06

1998 Feb 20

## CIRCULATORS/ISOLATORS 1 TO 2 GHZ

Preferred application: radio links and navigation, pcn

TYPE	DIMENSIONS Fig.	FREQUENCY RANGE MHz	MAXIMUM POWER	
			CW W	REFLECTED W
2722 162 03591	1	960 to 1225	100	
2722 162 08341	2	1200 to 1415	20	
2722 162 07511	3	1215 to 1400	250	
2722 162 08641	4	1230 to 1365	60	
2722 162 05331	5	1350 to 1700	10	
2722 162 05571	5	1350 to 2100		
06701	6			
2722 162 02492	2	1427 to 1535	10	
03802	1			
2722 162 08921	7	1930 to 1990	60	
VAO 1001	1	1450 to 1500	130	
VBN 1012A	8	1270 to 1400	120	
VFT 1015	9	1930 to 1990	50	
VAT 1019	10	1930 to 1990	50	
VFS 1021	9	1805 to 1880	50	
VAS 1024	10	1805 to 1880	50	
VLS 1027	11	1805 to 1880	40	
VBS 1028	12	1805 to 1880	50	
VGS 1029	13	1850 to 1910	1	
VBO 1030A	8	1450 to 1500	60	

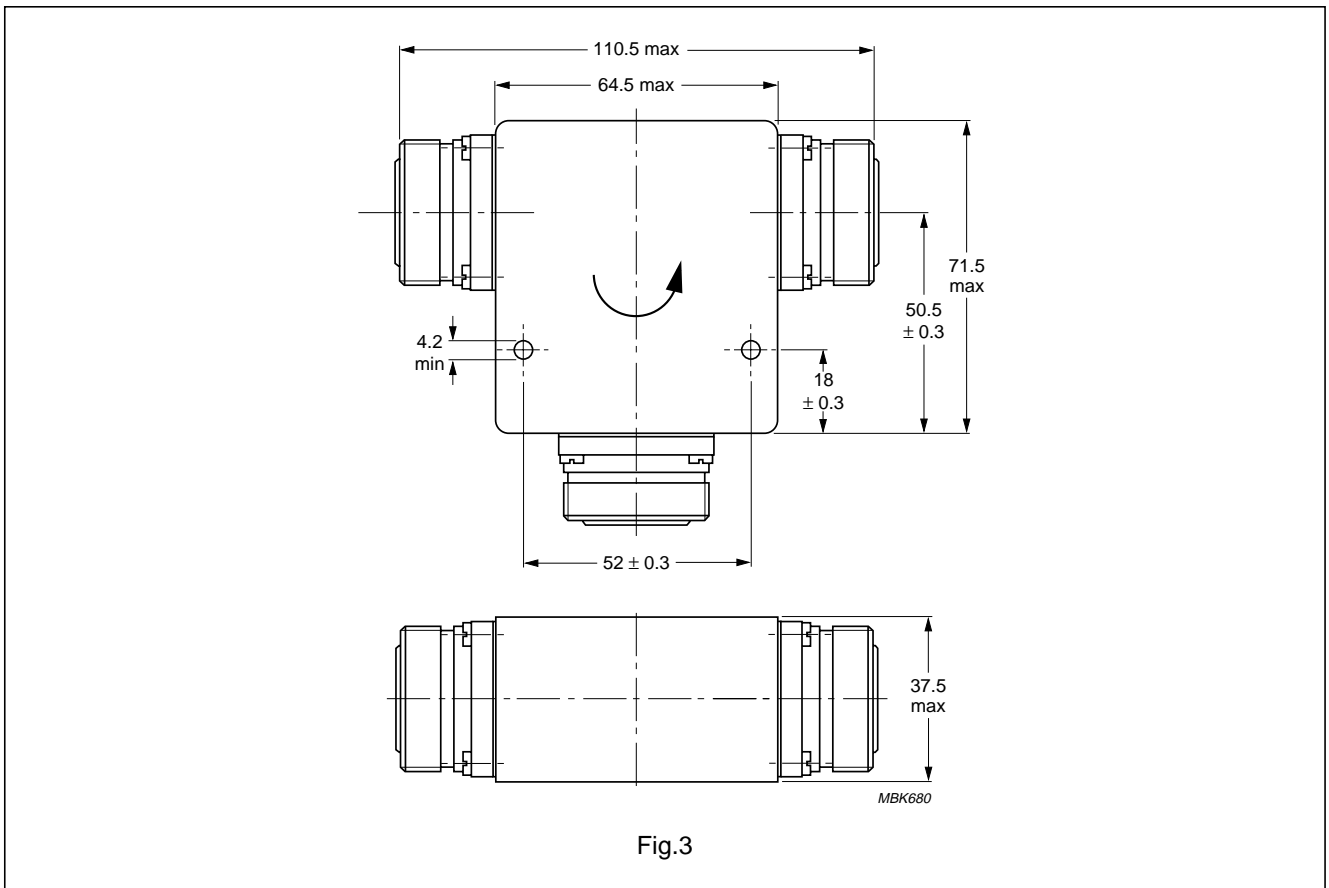
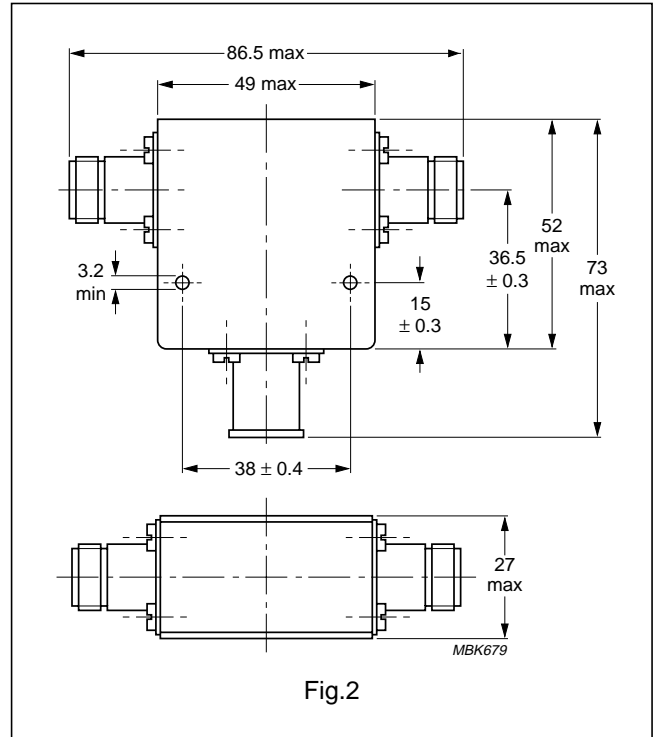
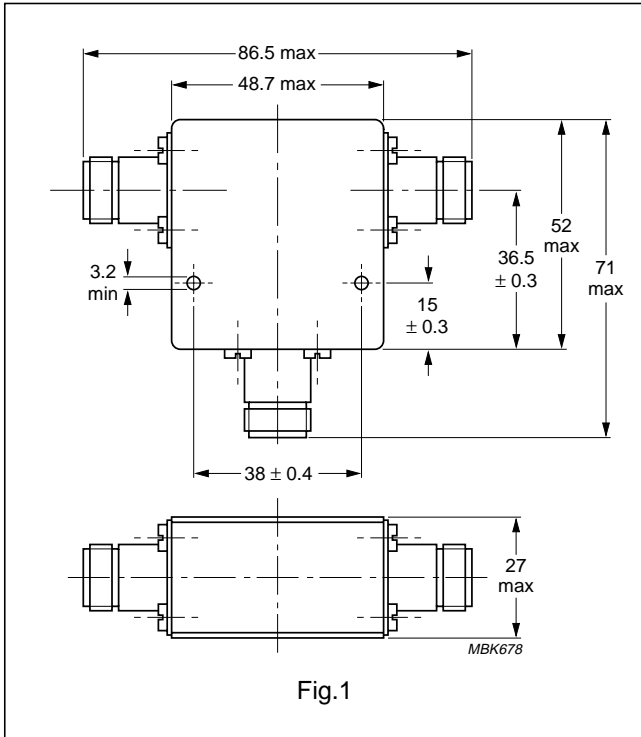
## CIRCULATORS/ISOLATORS 1 TO 2 GHZ

TYPE	ISOLATION		INSERTION LOSS		VSWR		TEMP. RANGE °C	CONNECTOR	MASS g
	MIN. dB	TYP. dB	MAX. dB	TYP. dB	MAX.	TYP.			
2722 162 03591	20	22	0,5	0,35	1,25	1,20	-10 to +60	N female	460
2722 162 08341	20		0,4		1,25		0 to +70	N female	400
2722 162 07511	19		0,3		1,25		0 to +50	HF 7/16 female	1200
2722 162 08641	20		0,4		1,25		0 to +55	SMA female, N female	180
2722 162 05331	20	23	0,4	0,3	1,2	1,15	0 to +45	SMA female	120
2722 162 05571 06701	17		0,5		1,35		-15 to +65	SMA female	120
2722 162 02492 03802	20	24	0,4	0,3	1,15	1,12	0 to +55	N female	400
2722 162 08921	≥ 50		≤ 0,5		≤ 1,25		-10 to +65	SMB, TNC	
VAO 1001	23		0,25		1,15		0 to +50	N	
VBN 1012A	20		0,40		1,25		-30 to +95	solder tabs	
VFT 1015	23		0,25		1,15		-10 to +55	N, SMA	
VAT 1019	23		0,25		1,15		-10 to +55	N, SMA	
VFS 1021	23		0,25		1,15		-10 to +55	N, SMA	
VAS 1024	23		0,25		1,15		-10 to +55	N, SMA	
VLS 1027	45		0,50		1,20		-	solder tabs	
VBS 1028	20		0,30		1,25		-	solder tabs	
VGS 1029	23		0,35		1,20		-	solder tabs	
VBO 1030A	23		0,30		1,15		-	solder tabs	

**Note**

1. 2x semi-rigid cable

# CIRCULATORS/ISOLATORS 1 TO 2 GHZ



# CIRCULATORS/ISOLATORS 1 TO 2 GHZ

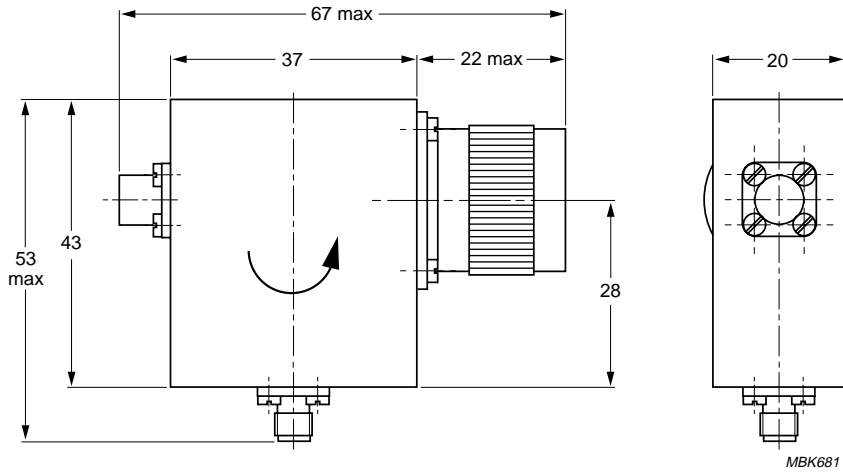


Fig.4

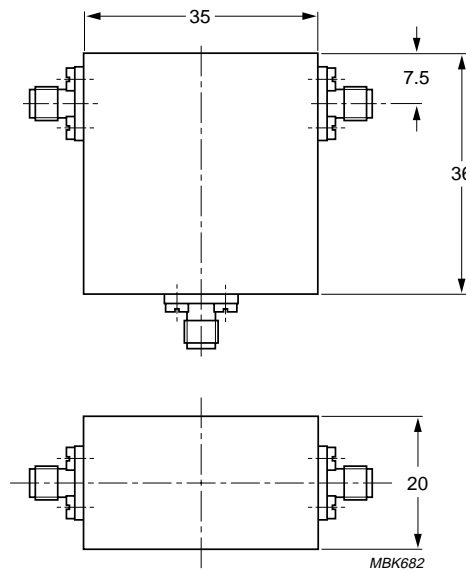


Fig.5

# CIRCULATORS/ISOLATORS 1 TO 2 GHZ

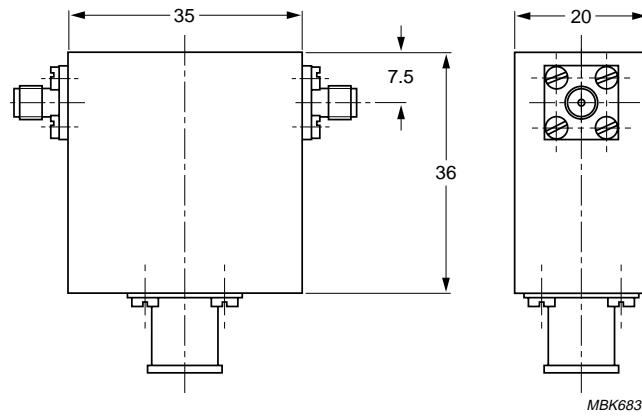


Fig.6

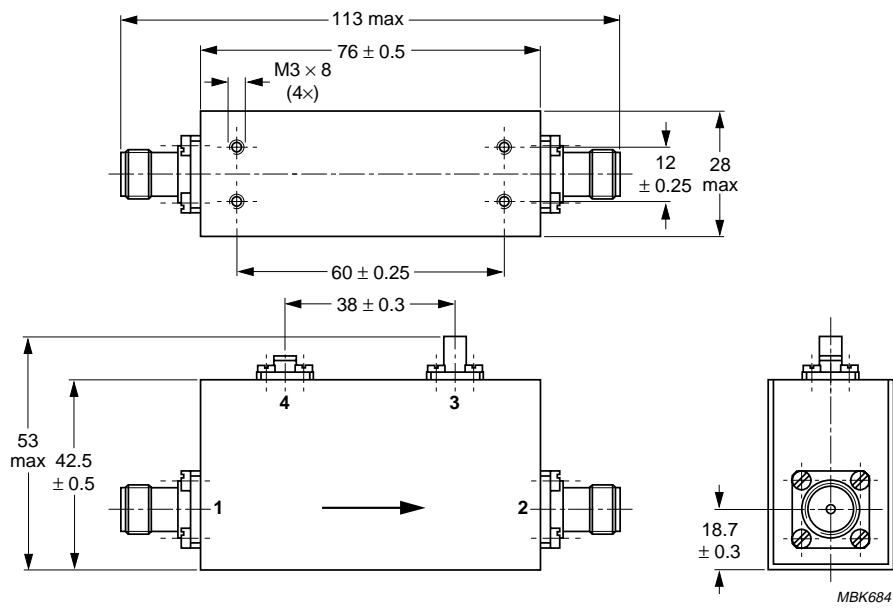


Fig.7

# CIRCULATORS/ISOLATORS 1 TO 2 GHZ

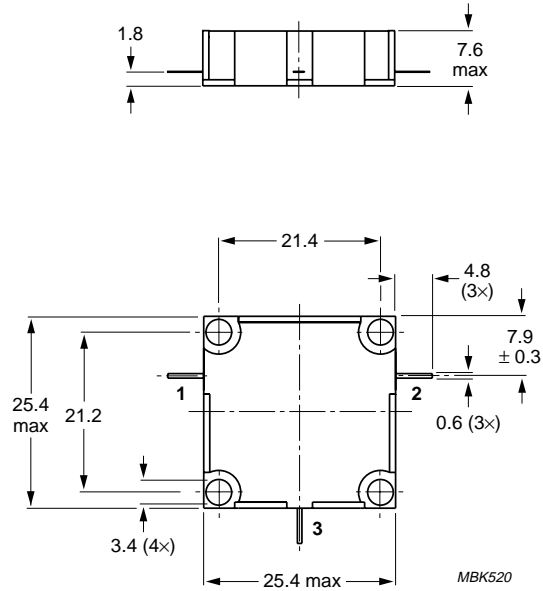


Fig.8

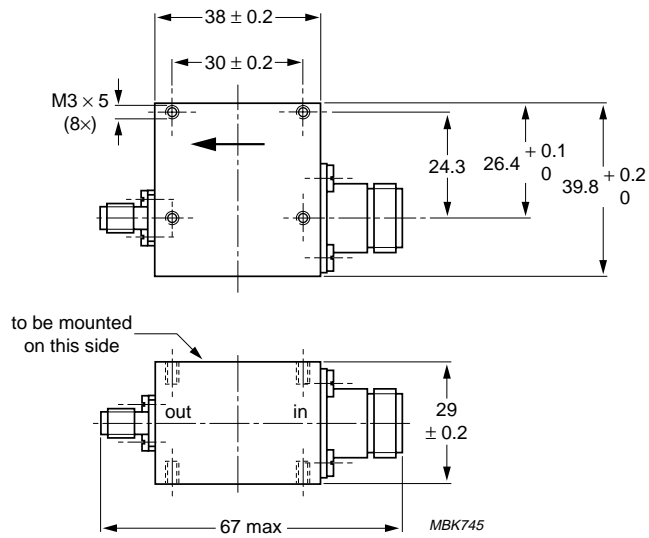


Fig.9

# CIRCULATORS/ISOLATORS 1 TO 2 GHZ

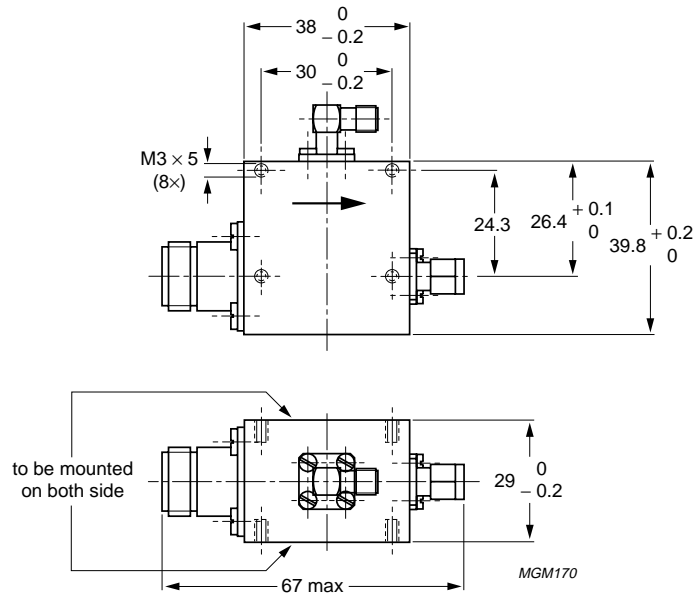


Fig.10

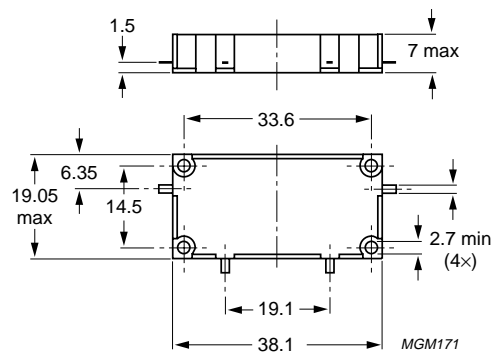


Fig.11



# CIRCULATORS/ISOLATORS 1 TO 2 GHZ

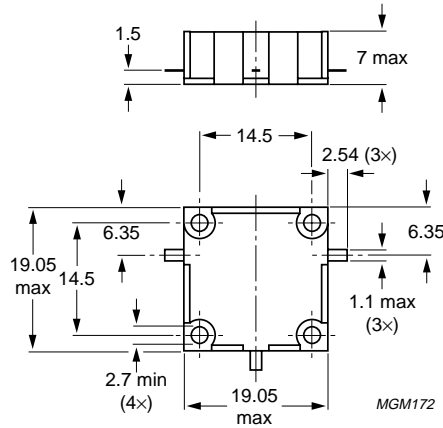


Fig.12

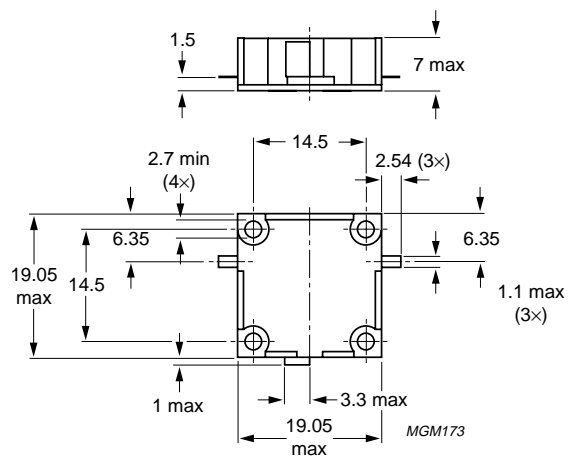


Fig.13