

Carrier type isolators (2.7 to 15.5 GHz)

Specifications

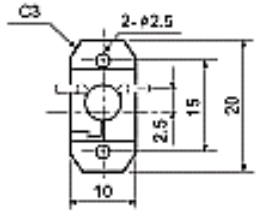
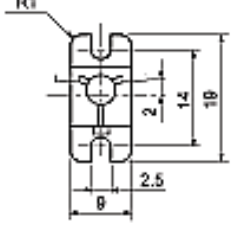
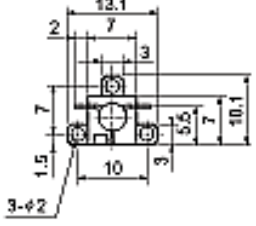
Part No.	Frequency range (GHz)	Isolation (dB)min.	Insertion loss (dB)max.	Reflection Loss (dB)max.	V.S.W.R. (50Ω)max.	Handling Power (W.CW)	Power Absorption (W.CW)	Operation temp. Range (°C)	Carrier Shape No.	Document No. MW-C-000
CK-□ 02802Δ801	2.7~2.9	18	0.7	19	1.25	10	2	-10~+60	80	134
CK-□ 03103Δ802	2.9~3.2	18	0.5	19	1.25	10	2	-10~+60	80	135
CK-□ 03501Δ701	3.4~3.5	20	0.4	21	1.2	10	2	-10~+60	70	094
CK-□ 03906Δ701	3.6~4.2	20	0.4	21	1.2	10	2	-10~+60	70	030
CK-□ P03906Δ701	3.6~4.2	20	0.4	21	1.2	10	10	-10~+60	70	068
CK-□ 04708Δ701	4.3~5.1	20	0.4	21	1.2	10	2	-10~+60	70	038
CK-□ P04708Δ701	4.3~5.1	20	0.4	21	1.2	20	10	-10~+60	70	086
CK-□ 05509Δ701	5.0~5.9	20	0.4	21	1.2	10	2	-10~+60	70	033
CK-□ P05509Δ701	5.0~5.9	20	0.4	21	1.2	20	10	-10~+60	70	074
CK-□ 06514Δ611	5.8~7.2	20	0.4	21	1.2	10	2	-10~+60	61	031
CK-□ P06514Δ611	5.8~7.2	20	0.4	21	1.2	20	10	-10~+60	61	069
CK-□ 06514Δ701	5.8~7.2	20	0.4	21	1.2	10	2	-10~+60	70	117
CK-□ 07013Δ611	6.3~7.6	20	0.4	21	1.2	10	2	-10~+60	61	035
CK-□ P07013Δ611	6.3~7.6	20	0.4	21	1.2	20	10	-10~+60	61	082
CK-□ 07915Δ611	7.1~8.6	20	0.4	21	1.2	10	2	-10~+60	61	036
CK-□ P07915Δ611	7.1~8.6	20	0.4	21	1.2	20	10	-10~+60	61	070
CK-□ 07915Δ701	7.1~8.6	20	0.6	21	1.2	10	2	-10~+60	70	118
CK-□ 10040Δ511	8.0~12.0	16	0.6	15.5	1.4	10	2	-20~+80	51	058

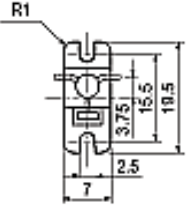
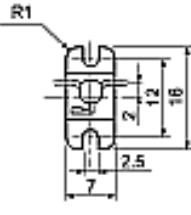
Part No.	Frequency range (GHz)	Isolation (dB)min.	Insertion loss (dB)max.	Reflection Loss (dB)max.	V.S.W.R. (50Ω)max.	Handling Power (W.CW)	Power Absorption (W.CW)	Operation temp. Range (°C)	Carrier Shape No.	Document No. MW-C-000
CK-□ 09623Δ511	8.4~10.7	18	0.5	19	1.25	10	2	-10~+60	51	037
CK-□ 11825Δ402	10.5~13.0	18	0.5	19	1.25	1	0.25	-30~+70	40	025
CK-□ 11825Δ411	10.5~13.0	18	0.5	19	1.25	5	1	-30~+70	41	075
CK-□ P11825Δ411	10.5~13.0	18	0.5	19	1.25	10	5	-30~+70	41	083
CK-□ 11825Δ441	10.5~13.0	18	0.5	19	1.25	1	0.25	-15~+70	44	128
CK-□ 13128Δ402	11.7~14.5	18	0.5	19	1.25	1	0.25	-30~+70	40	027
CK-□ 13128Δ411	11.7~14.5	18	0.5	19	1.25	5	1	-30~+70	41	024
CK-□ P13128Δ411	11.7~14.5	18	0.5	19	1.25	10	5	-30~+70	41	084
CK-□ 13128Δ441	11.7~14.5	18	0.5	19	1.25	1	0.25	-30~+70	44	106
CK-□ 14520Δ402	13.5~15.5	18	0.5	19	1.25	1	0.25	-30~+70	40	077
CK-□ 14520Δ411	13.5~15.5	18	0.5	19	1.25	5	1	-30~+70	41	081
CK-□ P14520Δ411	13.5~15.5	18	0.5	19	1.25	10	5	-30~+70	41	085
CK-□ 14520Δ441	13.5~15.5	18	0.5	19	1.25	1	0.25	-30~+70	44	127

Remarks) □ : Rotational direction Δ : D=Without tab, H= With silver-plated copper tab, M=With pure-gold tab

Shapes and dimensions

Carrier shapes [Unit : mm]	Shape 80	Shape 70	Shape 61
Carrier thickness	1.2	1.2	1.2
Terminal height	2.2	2.2*1	1.85
Mounted height	6.0max.	6.0max.	5.5max.

	Shape 52	Shape 51	Shape 44
Carrier shapes [Unit : mm]			
Carrier thickness	1.0	1.0	0.3
Terminal height	1.65	1.65	1.0
Mounted height	4.0max.	5.5max.	5.0max.

	Shape 41	Shap40
Carrier shapes [Unit : mm]		
Carrier thickness	1.0	1.0
Terminal height	1.65	1.65
Mounted height	5.5max.	5.5max.

*1 : The terminal height of CK- □05509 Δ 701 IS 1.85MM.