



# Commercial CCR-33

## Miniature DC-18GHz SPDT Switch

### Failsafe

The CCR-33 Switch is a broadband, SPDT, electromechanical, coaxial switch designed to switch a microwave signal from a common input to either of two outputs. The characteristic impedance is 50 Ohms. The switches are small with connector spacing compatible with SMA connectors.

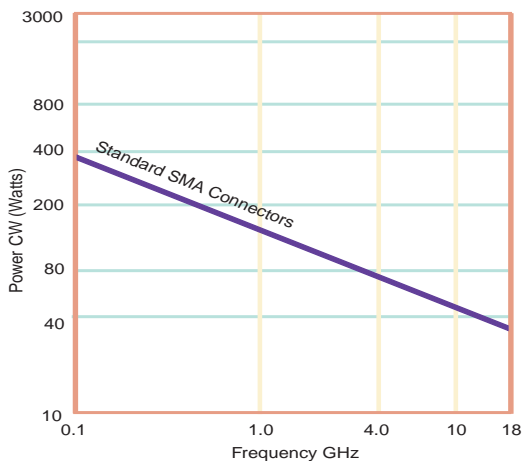
The CCR-33 series switch is offered with either a failsafe or latching actuator. This design is compatible with the two most common mounting hole patterns. The CCR-33 series switch is interchangeable with a variety of switches.

If your requirements are more demanding then perhaps the CCM-33 Range of 10 Million cycle switches would be of interest.

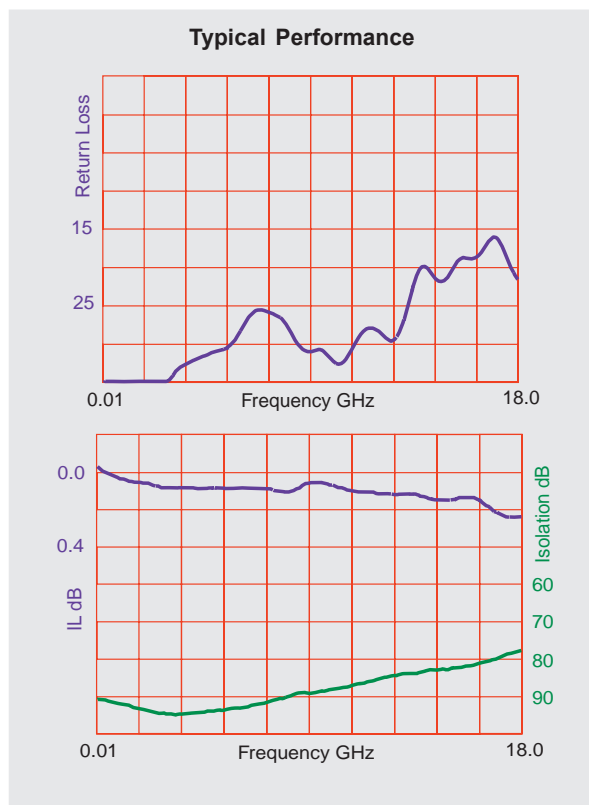
### Specifications

<b>RF Contacts:</b>	Break before make			
<b>Actuator</b>	Voltage (VDC) 20°C	12	15	28
	Current (mA)	200	160	90
<b>Switching Time:</b>	20 msec max			
<b>Connectors:</b>	SMA (f)			
<b>Weight:</b>	1.65 oz. max			
<b>Temperature Range:</b>	-25°C to +65°C (Operating)			
<b>Shock:</b>	MIL-STD-202 Method 213, Condition D (500G Non Operating)			
<b>Vibration:</b>	MIL-STD-202 Method 214, Condition D (10G RMS Non Operating)			
<b>Humidity:</b>	Moisture Seal Available			
<b>MTBF:</b>	7.3 Million Hours ( MIL-HDBK-217F Fixed, 25°C, <1 Cycle per hour)			

### RF Power Handling



Specifications	DC-6 GHz	6-12 GHz	12-18 GHz
VSWR (max)	1.25:1	1.40:1	1.50:1
Insertion Loss (min)	0.20 dB	0.40 dB	0.50 dB
Isolation (max)	70.0 dB	60.0 dB	60.0 dB



A Unit of Teledyne Electronics and Communications

Specifications subject to change without notice.

www.rfswitches.com  
email: switches@teledyne.com

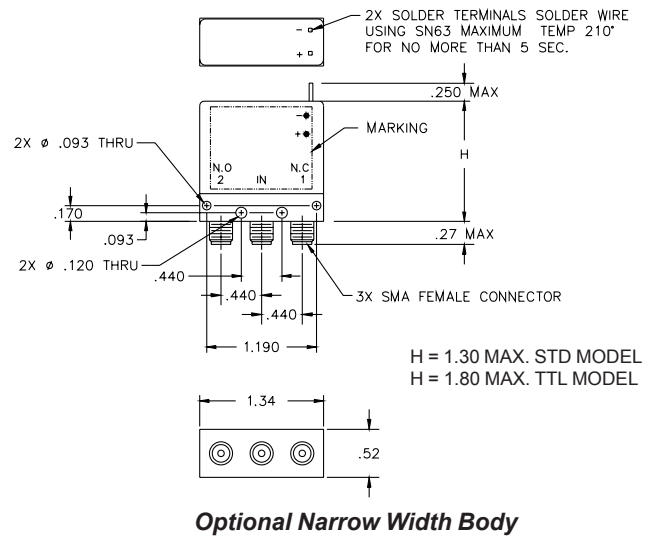
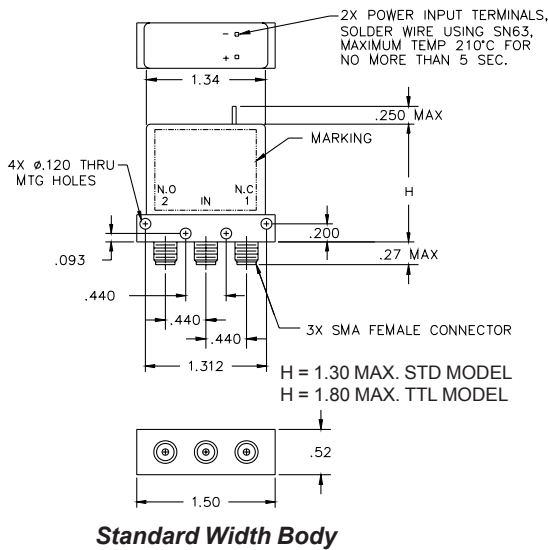
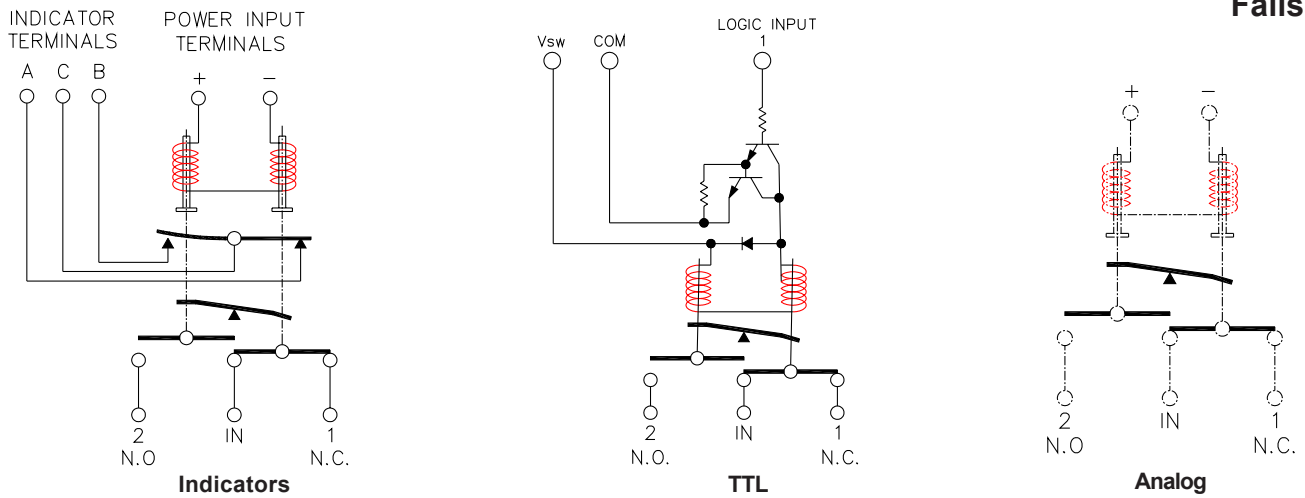
Tel: 800-284-7007

01/2004

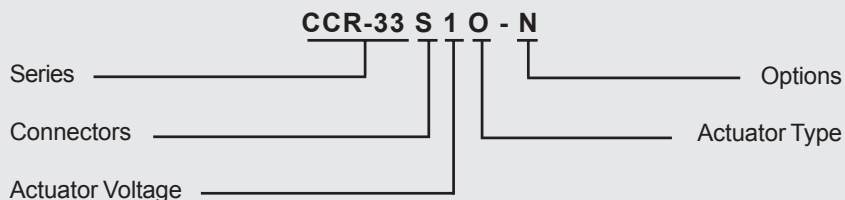
# Commercial CCR-33

## Miniature DC-18GHz SPDT Switch

### Failsafe



### Part Numbering System for CCR-33 (Failsafe)



**Connector**  
S: SMA Female #

**Actuator Voltage**  
1: 28Vdc Failsafe #  
2: 15Vdc Failsafe #  
3: 12Vdc Failsafe #

**Actuator Type**  
O: No Indicator Contacts #  
C: Indicator Contacts #

**Options**  
T: TTL Drivers with Diodes  
N: Narrow Body #  
R: Positive + Common

For other options contact Factory

#: Stock item subject to prior sale



A Unit of Teledyne Electronics and Communications

Specifications subject to change without notice.

www.rfswitches.com  
email: switches@teledyne.com

Tel: 800-284-7007